

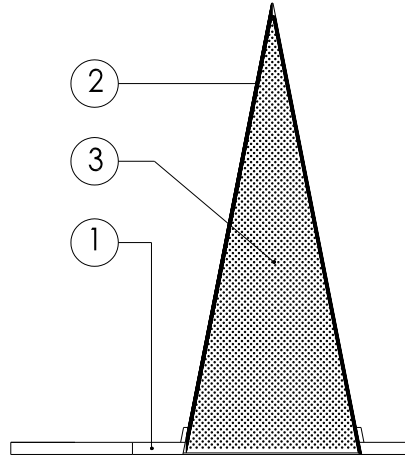
## **TEMPORARY STRAINERS**

Cone & Truncated Cone Basket Type

**1" – 24" (150#, 300# & 600#)**  
**DN25 – DN700 (PN10, PN16 & PN40)**



## Parts & Materials



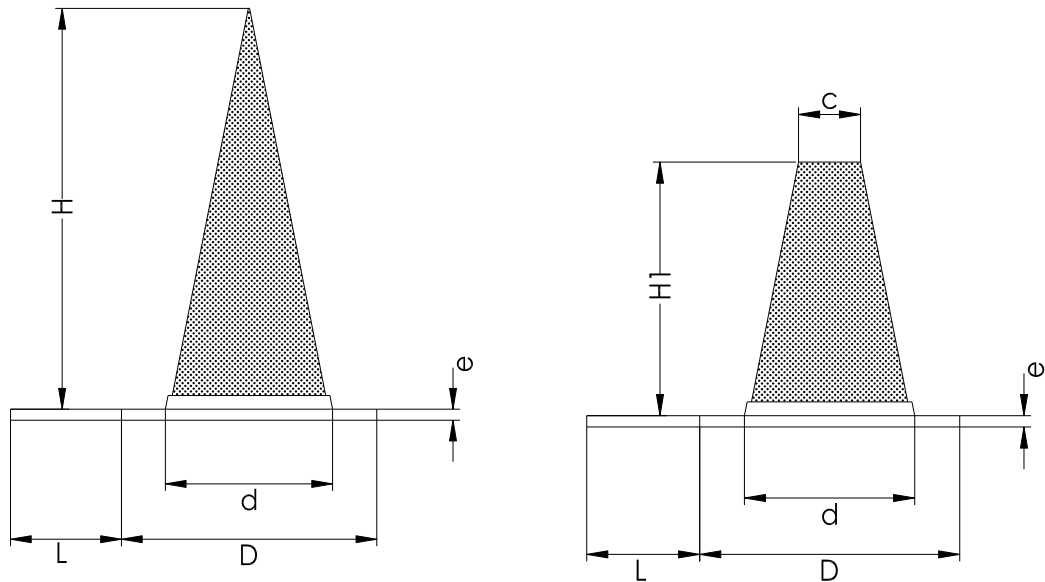
Pos.	Description	Material
1	Disc	ASTM A 105 or AISI 304 or AISI 316
2	Screen	AISI 304 or AISI 316
3	Mesh	AISI 304 or AISI 316

**\*\*The Pos. 1, 2 y 3 Can be Supply in Monel, Hastelloy or Inconel**

*\*\*For More information contact with our technical Dp.*



Dimensions



DN	ØD	Ød	Øc	e	H	H1	L		
							150Lb	300Lb	600Lb
1"	51	22	20	3	80	60	100	110	110
1 1/4"	64	30	20	3	90	70	100	110	110
1 1/2"	73	35	20	3	100	80	100	110	110
2"	92	45	30	3	130	90	100	110	110
2 1/2"	105	55	40	3	160	110	100	120	120
3"	127	72	55	3	200	140	100	120	120
4"	157	93	65	3	250	160	110	120	130
5"	185	118	80	3	300	180	120	120	140
6"	216	142	95	3	350	210	120	130	140
8"	270	190	120	3	450	270	120	130	150
10"	324	240	145	3	580	340	120	130	160
12"	381	295	155	5	700	440	130	140	160
14"	413	325	180	5	750	480	130	160	170
16"	470	375	210	5	850	550	130	160	180
18"	533	425	230	5	950	630	140	160	180
20"	584	475	260	5	1100	700	150	170	190
24"	692	575	310	5	1300	850	150	180	190

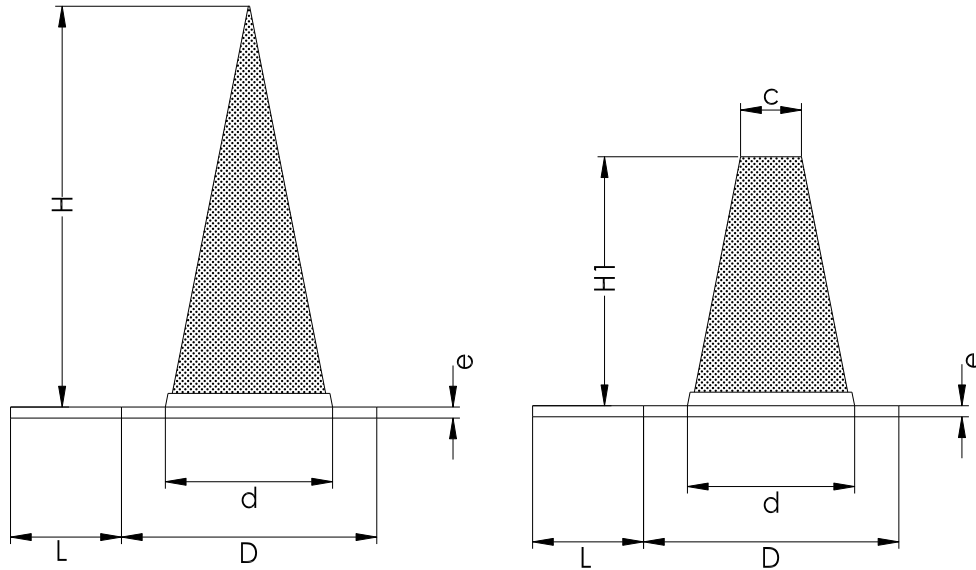
**\*\*For assembly between RF , FF , RTJ & ANSI Flanges**

**\*\* For biggest ratings contac with our technical Dp.**

(\*) Dimensions in mm



Dimensions



DN	ØD	Ød	Øc	e	H	H1	L		
							PN10	PN16	PN40
25	68	28,5	20	3	80	60	110	110	110
32	78	37,5	20	3	90	70	110	110	110
40	88	43	20	3	100	80	110	110	110
50	102	54,5	30	3	130	90	110	110	110
65	122	70,5	40	3	160	110	110	110	110
80	138	82,5	55	3	200	140	110	110	110
100	158	108	65	3	250	160	120	120	130
125	188	132	80	3	300	180	130	120	140
150	212	160	95	3	350	210	130	140	140
200	268	208	120	3	450	270	130	140	150
250	320	261	145	3	580	340	130	140	160
300	378	310	155	5	700	440	140	150	170
350	438	352	180	5	750	480	140	150	180
400	490	403	210	5	850	550	140	150	190
500	610	492	230	5	950	630	150	170	190
600	725	591	260	5	1100	700	160	170	
700	795	694	310	5	1300	850	160	180	

**\*\*For assembly between DIN Flanges**

**\*\* For biggest PN contac with our technical Dp.**

(\*) Dimensions in mm.