



PROINAD92, S.L.
ENGINEERING SOLUTIONS



BASKET STRAINERS

BOLTED COVER

DN 50 - 200 PN10, PN16 & ANSI 150

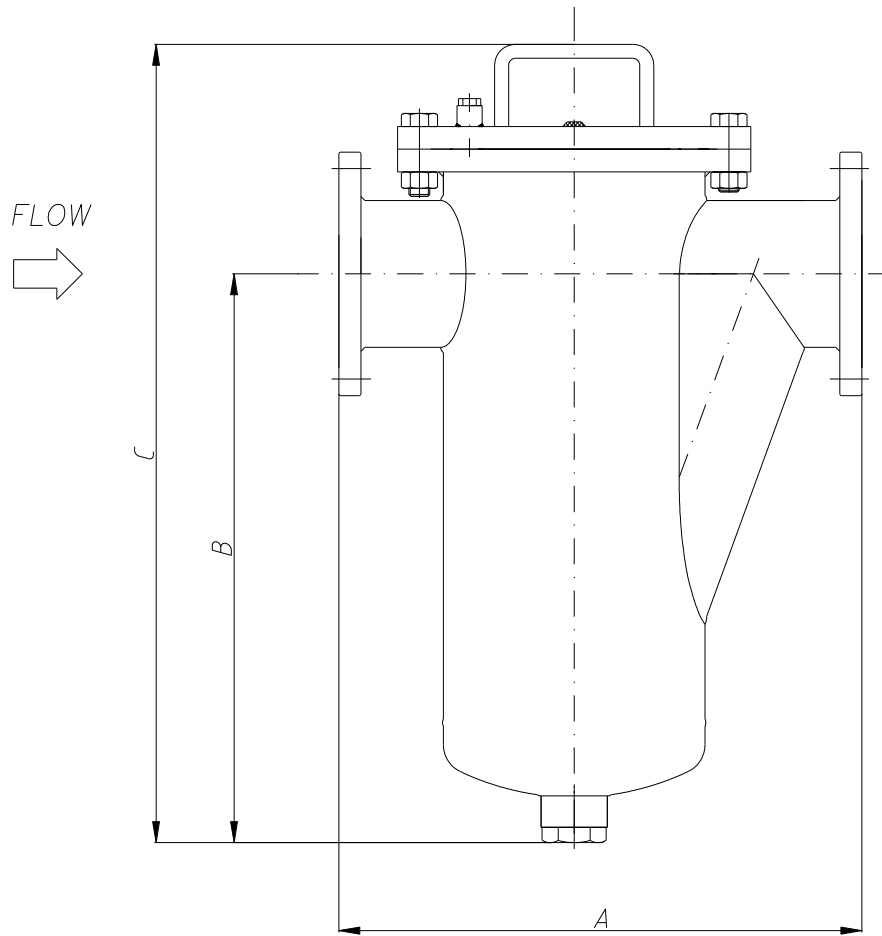
Carbon Steel & Stainless Steel



BASKET STRAINERS



BASKET STRAINERS



Standard screen: Perforation: 1.5 mm Thickness: 0.5 mm

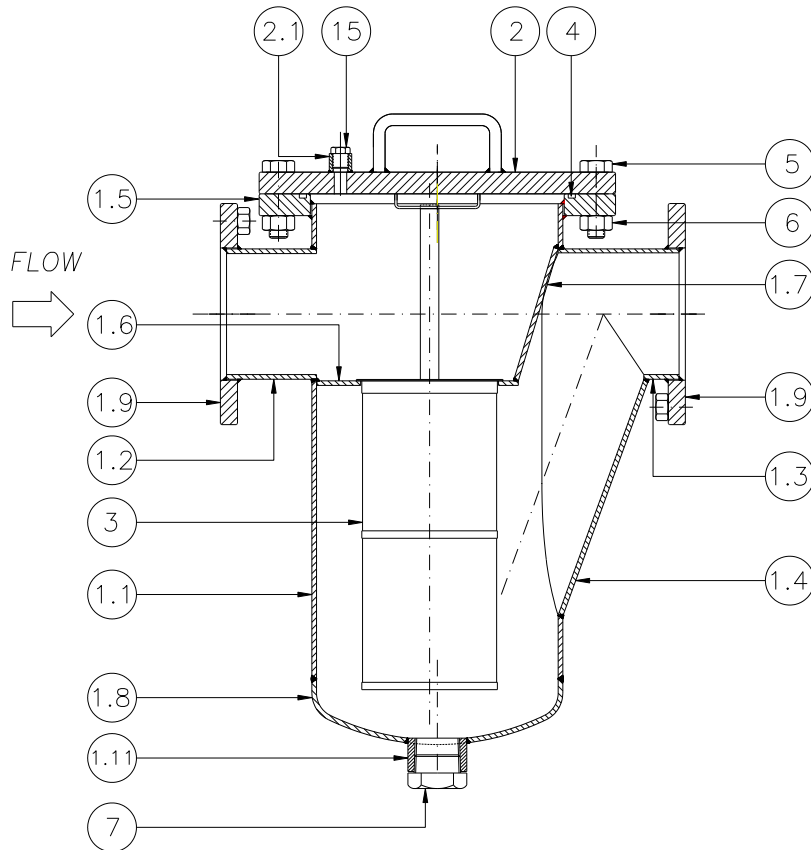
DN	A	B	C	Drain	Vent	Rel. Areas
50	300	340	545	1"	----	1:5.49
65	350	370	600	1"	----	1:4.33
80	375	409	671	1"	----	1:3.73
100	440	457	715	1"	----	1:3.31
125	525	580	785	1 1/2"	1/2"	1:2.61
150	600	670	915	1 1/2"	1/2"	1:2.83
200	800	810	1065	1 1/2"	1/2"	1:2.75
250	900	870	1225	2"	3/4"	1:2.67
300	950	930	1335	2"	3/4"	1:2.63
350	1050	1150	1575	2"	1"	1:2.60
400	1150	1180	1650	2"	1"	1:2.28

(*) Other materials under request.



General Dimensions

Bolted Cover



ITEM	DESCRIPTION	MATERIAL	
		CARBON STEEL	STAINLESS STEEL
1,1	Body	S 235 JRG2/P245GH/P265GH	1,4401
1,2	Inlet pipe	S 235 JRG2/P245GH/P265GH	1,4401
1,3	Outlet pipe	S 235 JRG2/P245GH/P265GH	1,4401
1,4	Outlet pipe	S 235 JRG2/P245GH/P265GH	1,4401
1,5	Body flange	S 235 JRG2/ASTM A 105	1,4401/A182 F316
1,6	Basquet support	S 235 JRG2	1,4401
1,7	Closed plate	S 235 JRG2	1,4401
1,8	Cap	A 234 WPB / A 235 JRG2	1,4401
1,9	Inlet / outlet flange	S 235 JR/ ASTM A 105	1,4401/A182 F316
1,11	Drain coupling	Carbon Steel	1,4401
2	Cover	S 235 JR/ ASTM A 105	1,4401/A182 F316
2,1	Drain vent	Carbon steel	1,4401
3	Basquet	Ac. Inox 1,4301 S/EN10028-7	1,4401/1,4301
4	O'ring		Vitón
5	Bolt	8,8 S/DIN 267	A4-70 SW2
6	Nut	8 S/DIN 267	A4-70 SW2
7	Drain plug	Carbon steel	1,4401
15	Vent plug	Carbon steel	1,4401



General Characteristics

GENERAL CHARACTERISTICS	BS310, BS316, BS315, BS410, BS416, BS415
DESIGN STANDARDS	
Design code	AD MERKBLATT
Face to face Dimensions	Standard manufacturer
Flanged Dimensions	EN 1092 & ASME B16.5
Visual Inspection	MSS SP- 55
Marking	EN 19
TESTS AND CERTIFICATES	
Pressure testing	AP598

Pressure drop (Liquid)

